

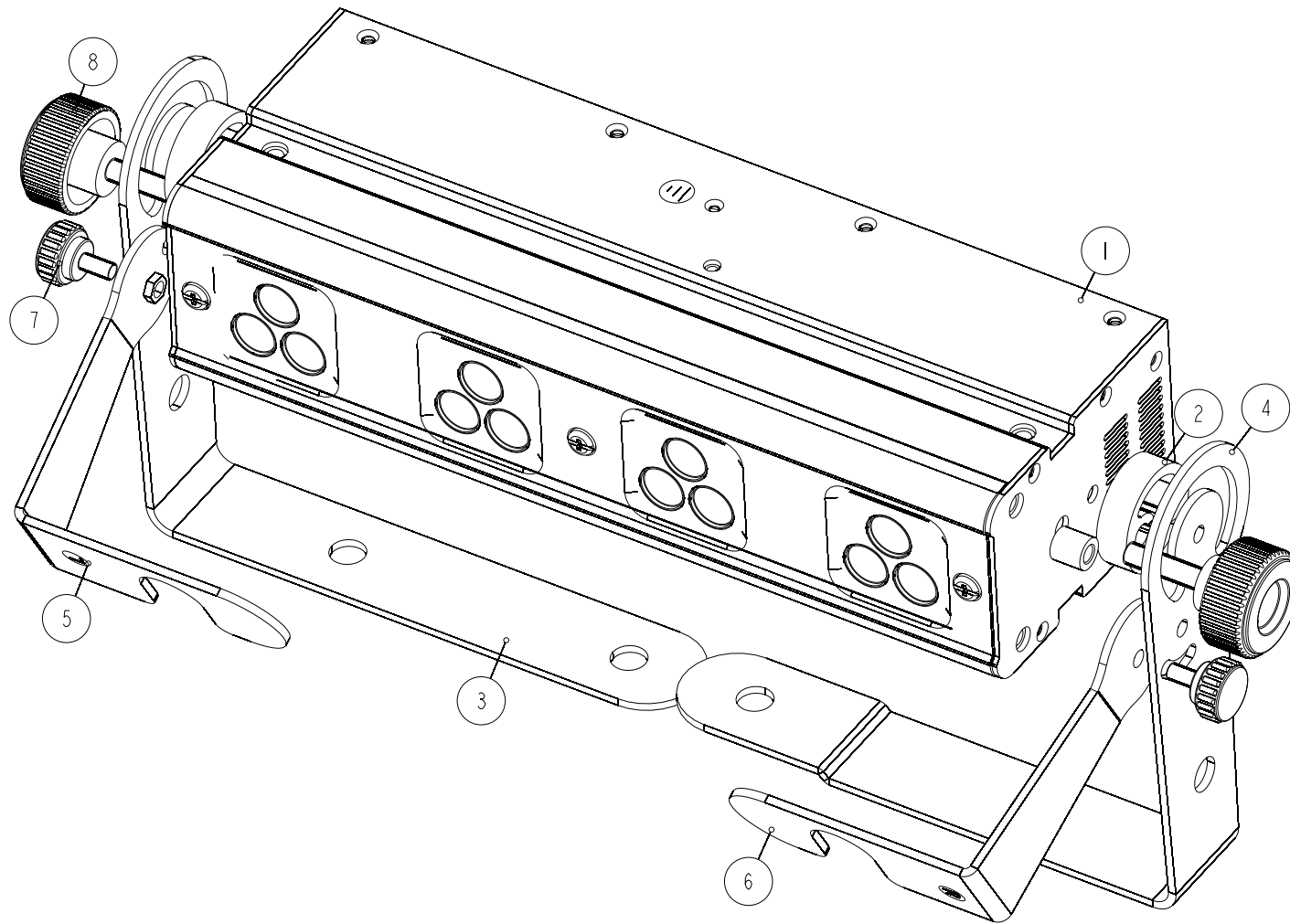
Service manual

DLED 12 BRICK

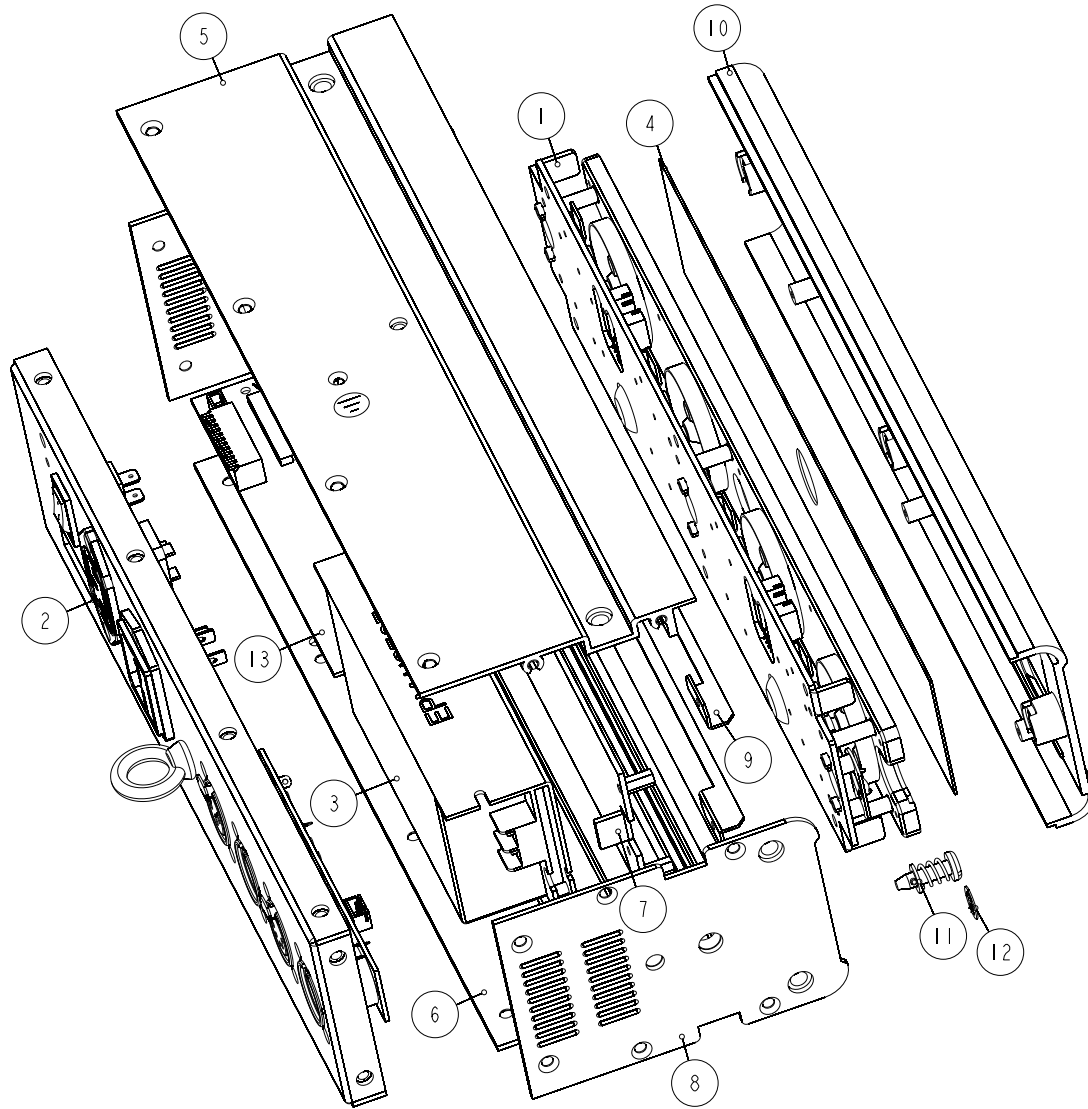
- ※ **Exploded Diagrams**
- ※ **Circuit Diagrams**
- ※ **Wiring Diagrams**
- ※ **Parts List**



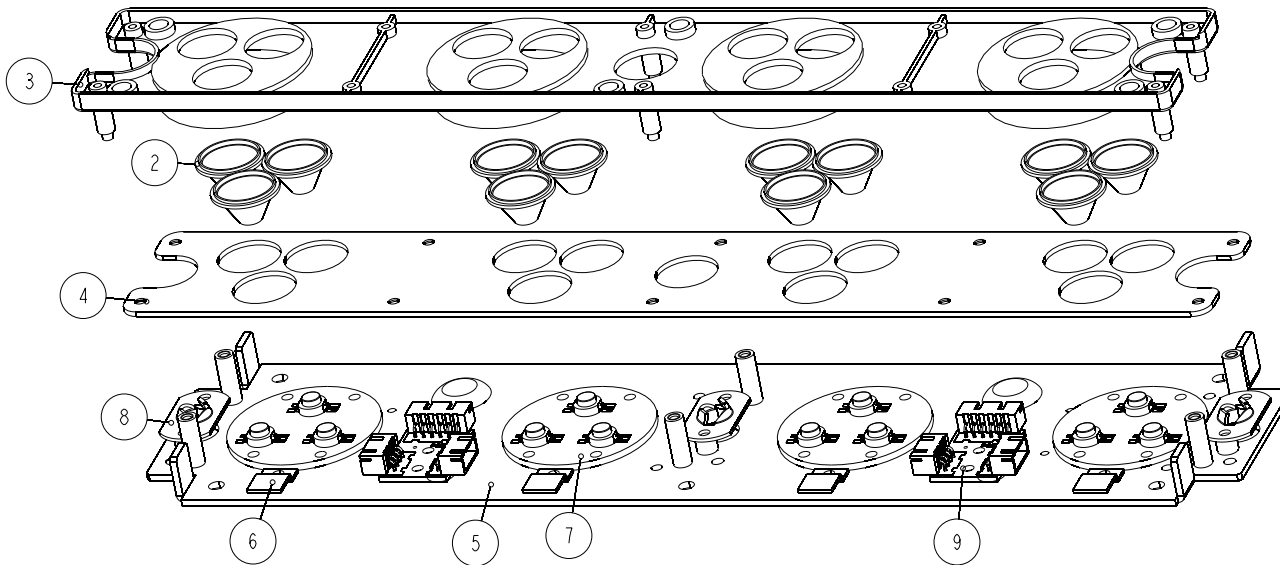
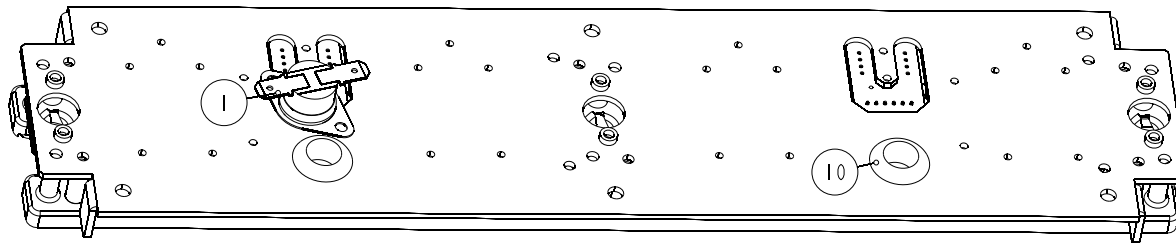
PRODUCT		DLED 12 BRICK		
PIC. NO.		Front Page		
EDIT		FILE NO.	GS-EXP-318A	
CHECK		ORDER NO.	SO20080195	
APPROVE		VERSION	NR	SOFTWARE VER. V1.3



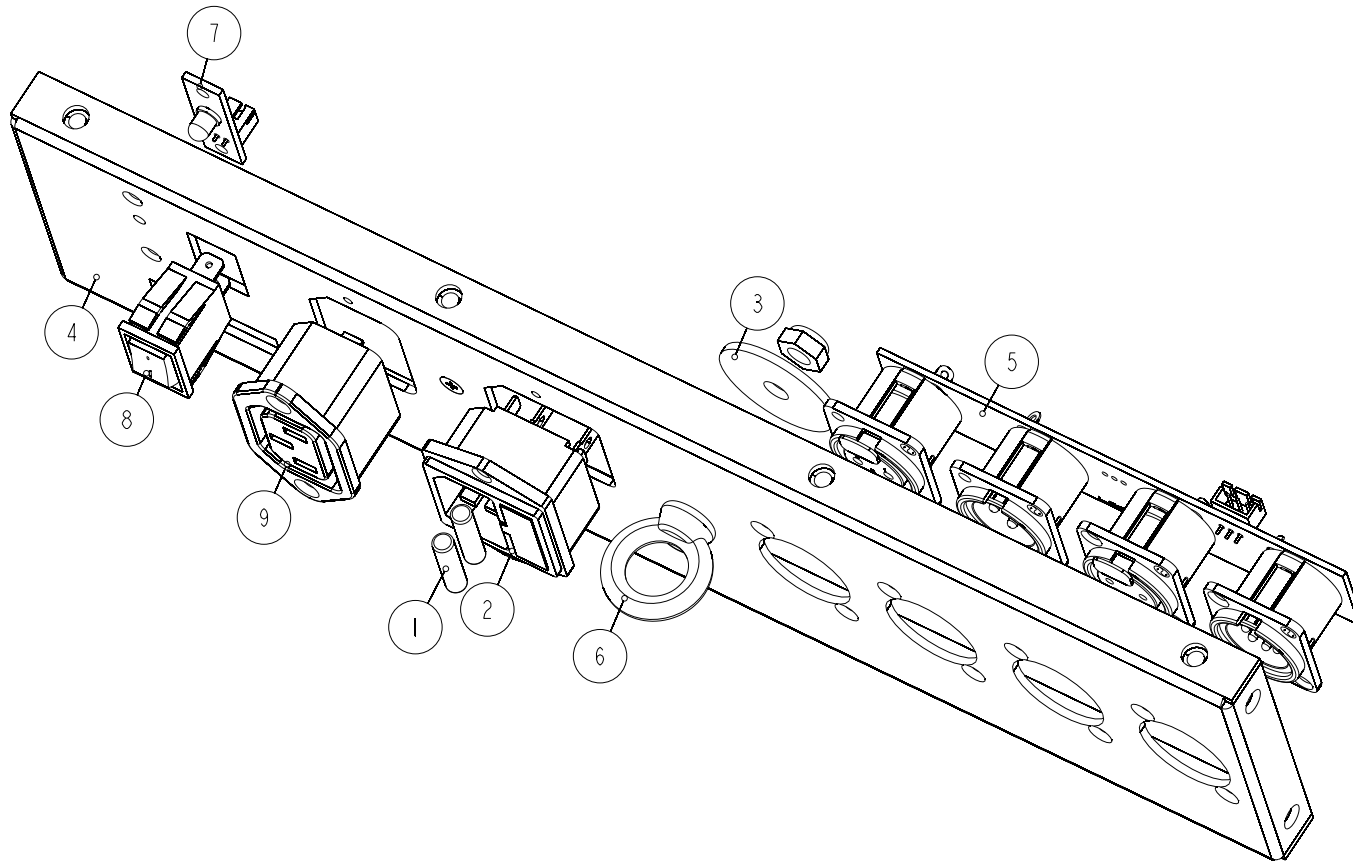
PRODUCT		DLED 12 BRICK			
PIC. NO.		10-0029-00-00-00			
EDIT		FILE NO.	GS-EXP-318A	PAGE NO.	1/9
CHECK		VERSION	NR	DATE	2008.08.30
APPROVE		ECN NO.		DATE	



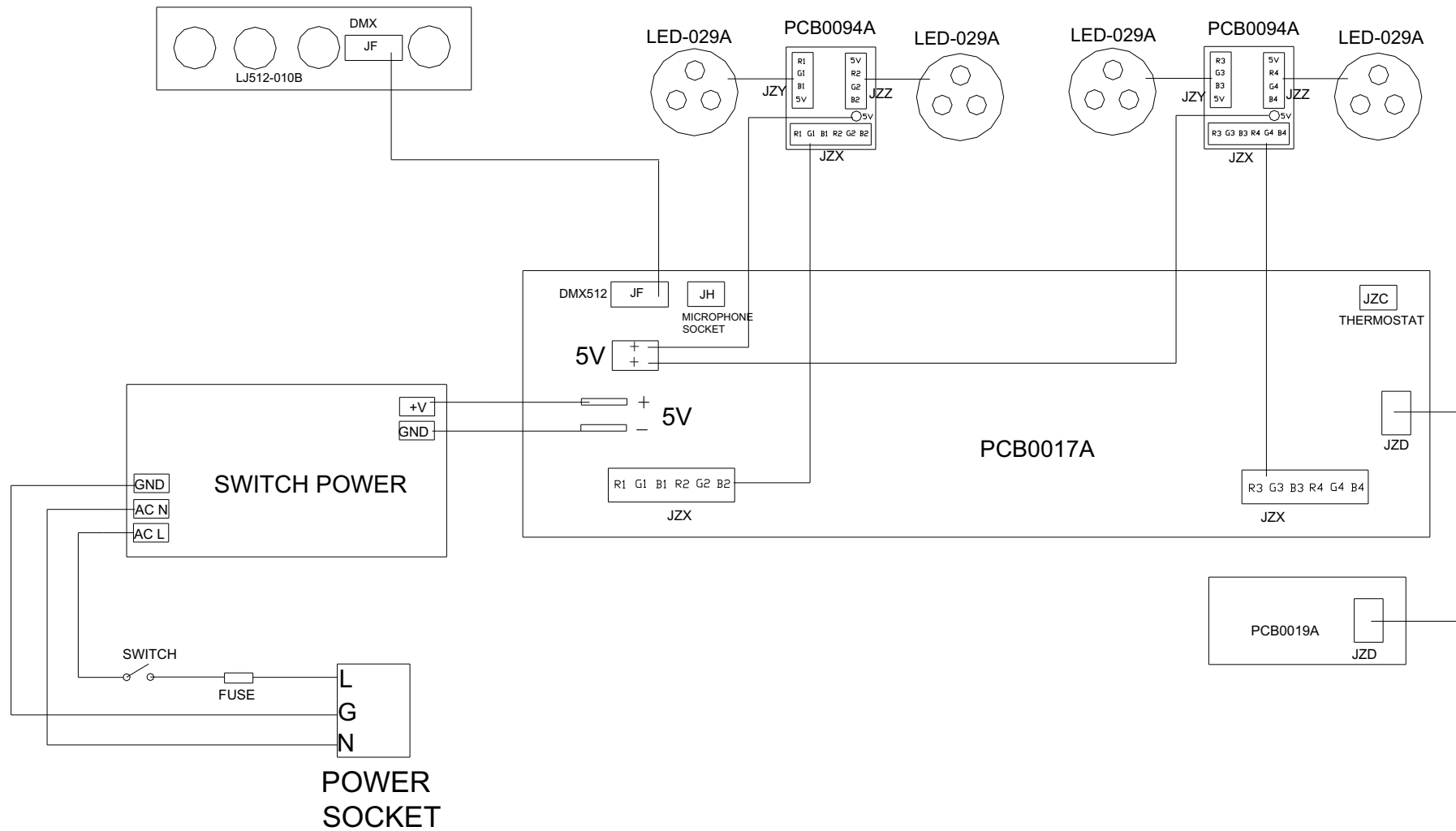
PRODUCT		DLED 12 BRICK			
PIC. NO.		10-0029-01-00-00			
EDIT		FILE NO.	GS-EXP-318A	PAGE NO.	2/9
CHECK		VERSION	NR	DATE	2008.08.30
APPROVE		ECN NO.		DATE	



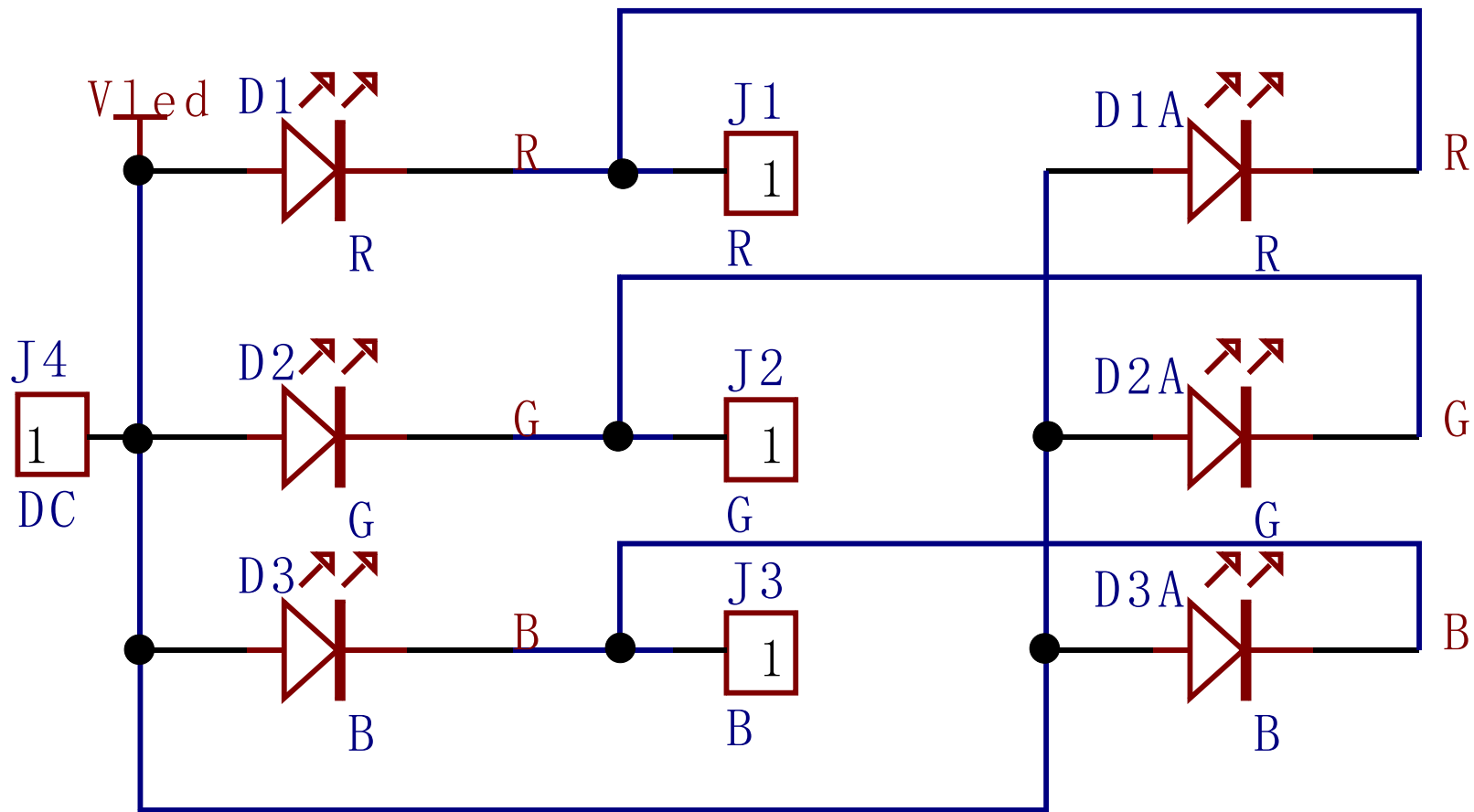
PRODUCT		DLED 12 BRICK			
PIC. NO.		00-0008-01-01-00			
EDIT		FILE NO.	GS-EXP-318A	PAGE NO.	3/9
CHECK		VERSION	NR	DATE	2008.08.30
APPROVE		ECN NO.		DATE	



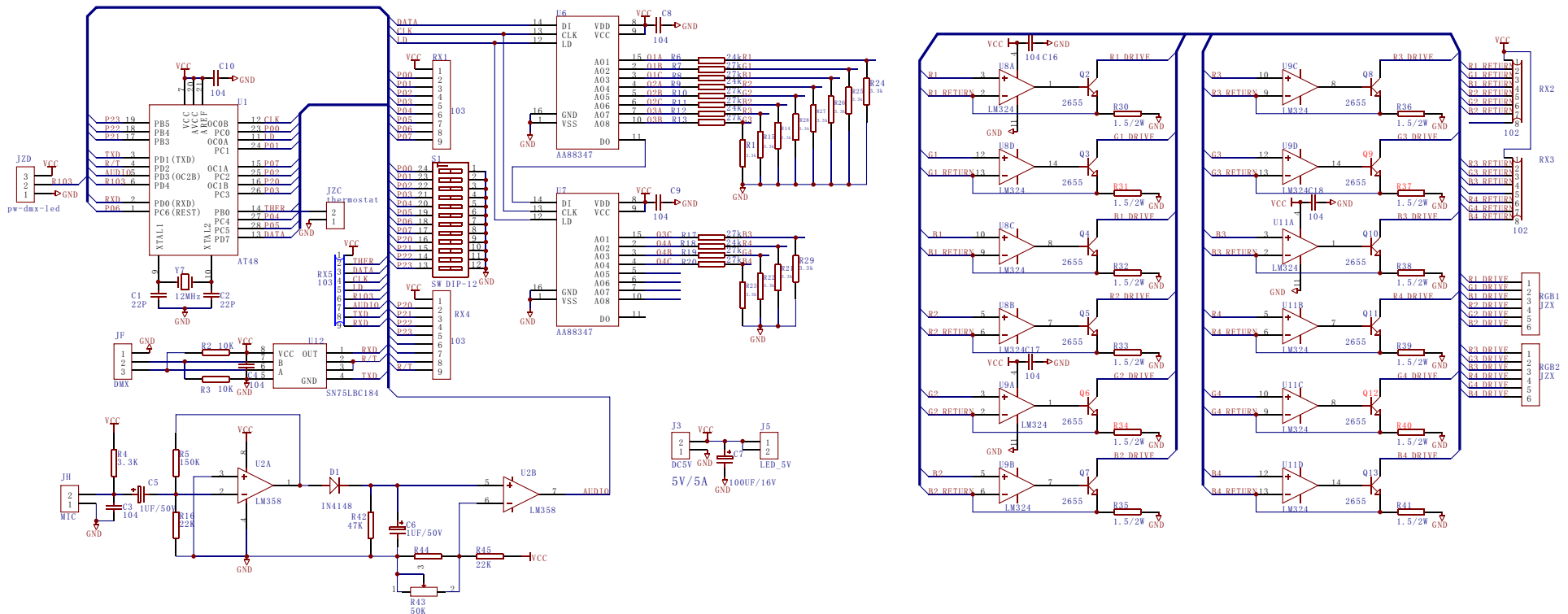
PRODUCT		DLED 12 BRICK			
PIC. NO.		10-0029-01-02-00			
EDIT		FILE NO.	GS-EXP-318A	PAGE NO.	4/9
CHECK		VERSION	NR	DATE	2008.08.30
APPROVE		ECN NO.		DATE	



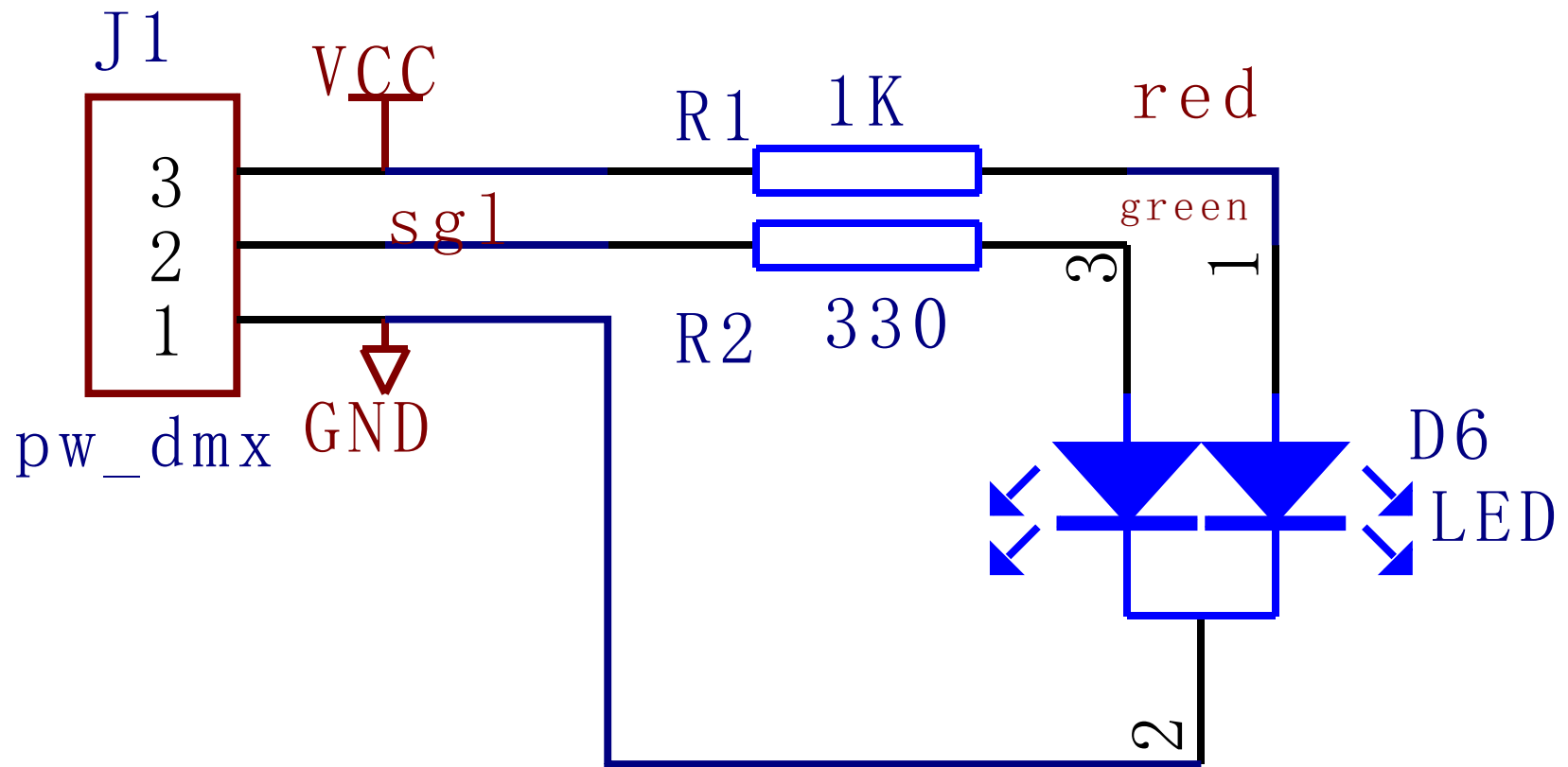
PRODUCT		DLED 12 BRICK			
PIC. NO.		LB 12 ELECTRIC			
EDIT		FILE NO.	GS-WIJL-G001	PAGE NO.	5/9
CHECK		VERSION	A	DATE	2008.08.30
APPROVE		ECN NO.		DATE	



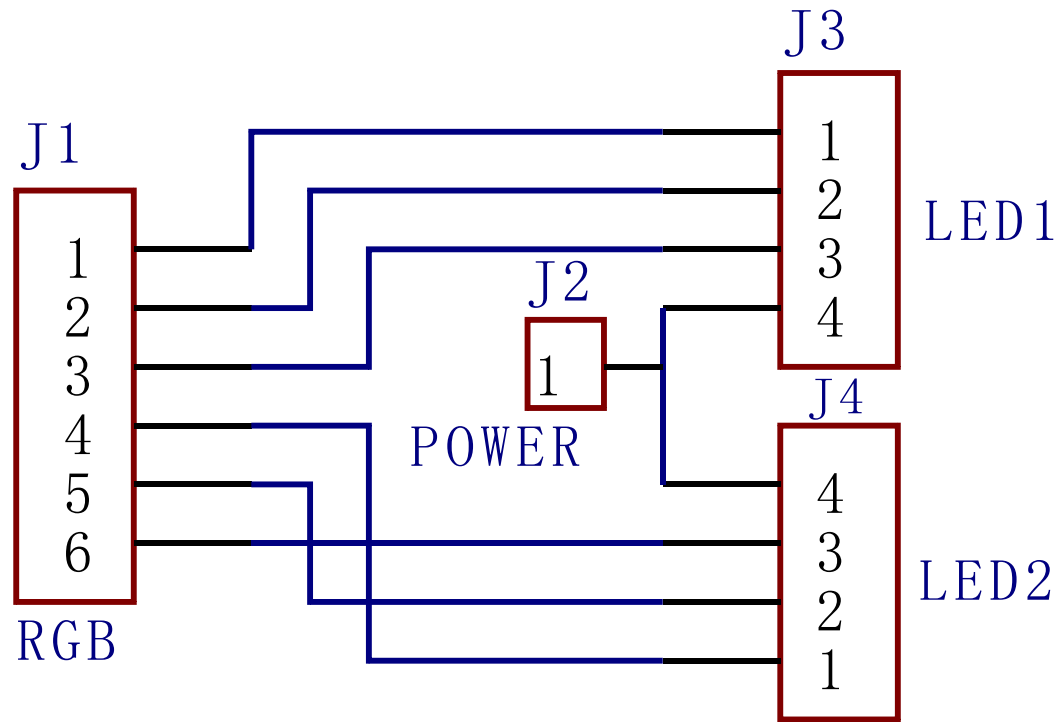
PRODUCT		DLED 12 BRICK			
PIC. NO.		LED-029A			
EDIT		FILE NO.	GS-WIDL-235	PAGE NO.	6/9
CHECK		VERSION	NR	DATE	2008.08.30
APPROVE		ECN NO.		DATE	



PRODUCT		DLED 12 BRICK			
PIC. NO.		PCB0017A			
EDIT		FILE NO.	GS-WIDL-234	PAGE NO.	7/9
CHECK		VERSION	NR	DATE	2008.08.30
APPROVE		ECN NO.		DATE	



PRODUCT		DLED 12 BRICK			
PIC. NO.		PCB0019A			
EDIT		FILE NO.	GS-WIDL-188	PAGE NO.	8/9
CHECK		VERSION	NR	DATE	2008.08.30
APPROVE		ECN NO.		DATE	



PRODUCT		DLED 12 BRICK			
PIC. NO.		PCB0094A			
EDIT		FILE NO.	GS-WIDL-192	PAGE NO.	9/9
CHECK		VERSION	NR	DATE	2008.08.30
APPROVE		ECN NO.		DATE	